

2 1/2" Stainless Steel Top Cap
#4 Satin or #8 Mirror Finish

1/2" Tempered Clear Flat Glass
w/ Exposed Edges Polished

18 GA. Cladding Stainless Steel
#4 Satin or #8 Mirror Finish

Rockite Cement

2 1/2" x 4 1/8"
Aluminum Base Channel

3/8" x 4" Wedge Bolt Anchor @ 12" O.C.

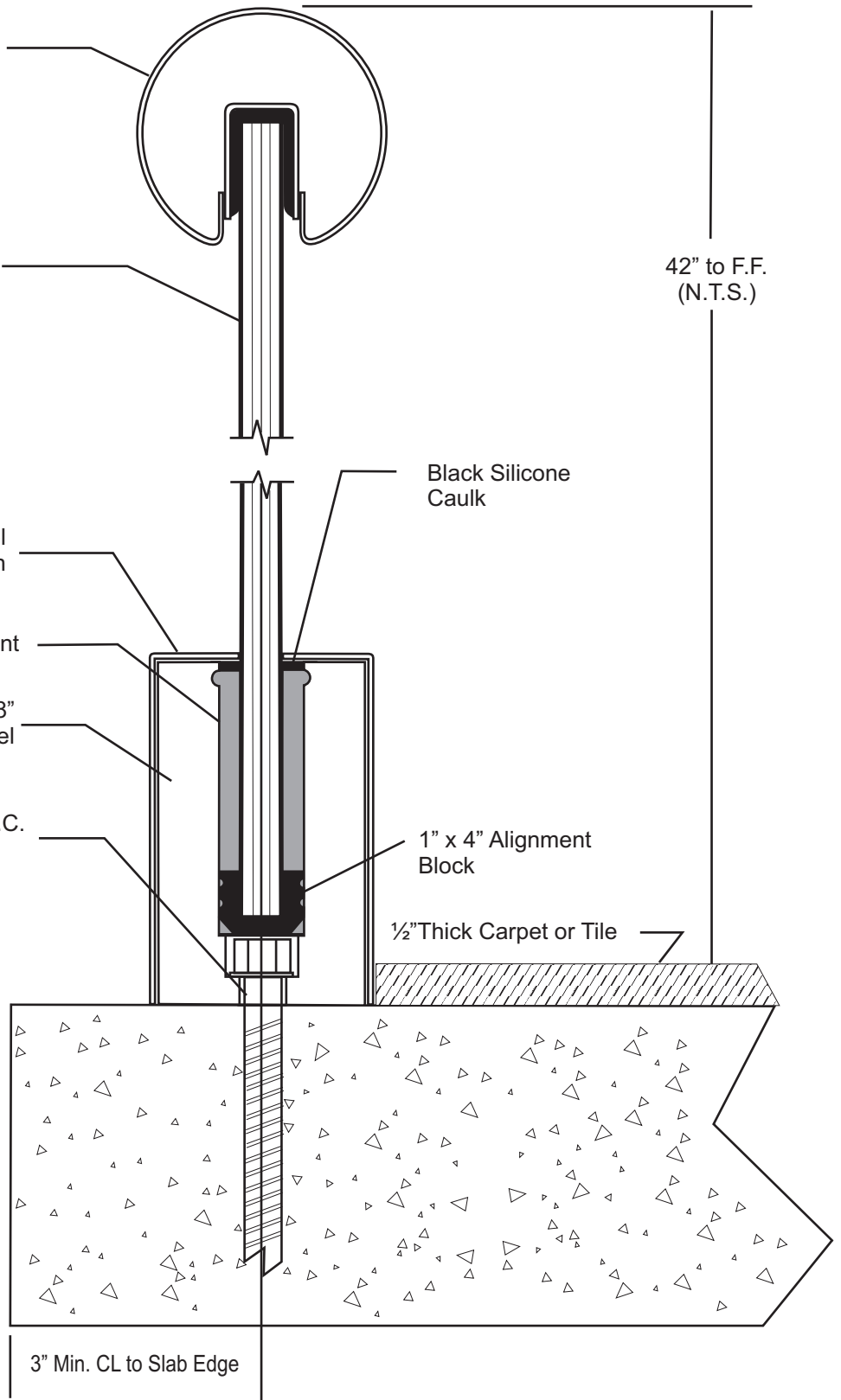
Black Silicone
Caulk

1" x 4" Alignment
Block

1/2" Thick Carpet or Tile

3" Min. CL to Slab Edge

42" to F.F.
(N.T.S.)



M.G.R.

2 1/2" Round S.S Handrail Concrete Mount

Scale: NTS

Drwg. ARC - 2.5 Round Concrete Mnt

10/30/08